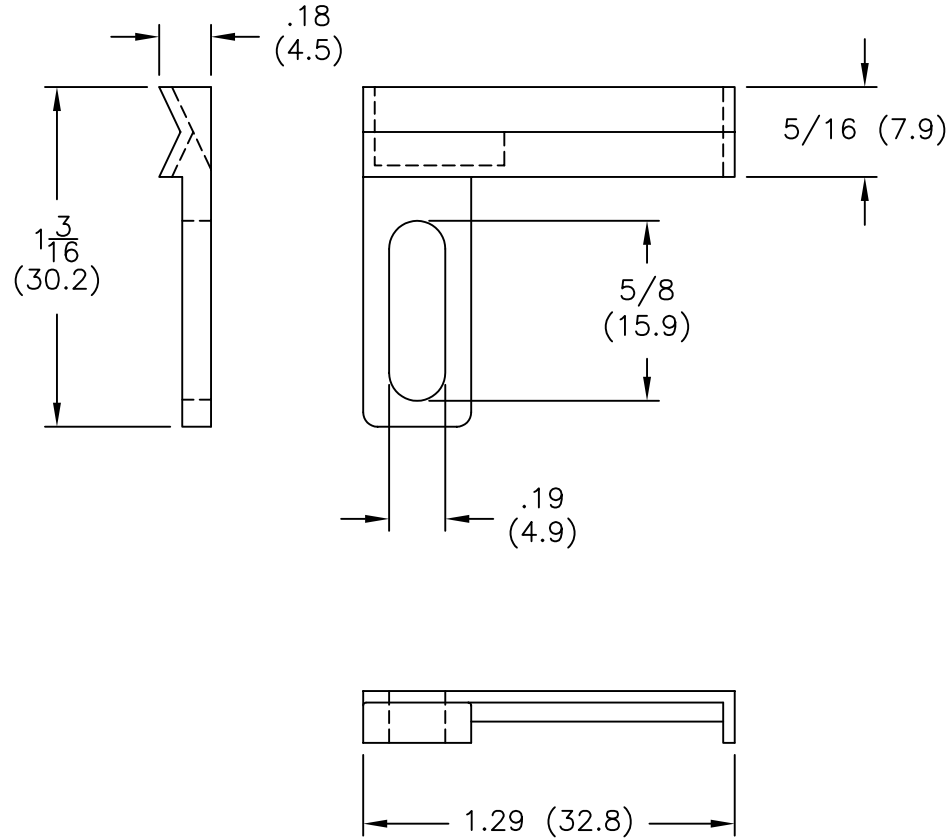


AVAILABLE BY SPECIAL ORDER ONLY



NOTES:

1. MATERIAL: NYLON 6/6 (RMS-01),
FLAME RETARDANT, NYLON (RMS-19),
AVAILABLE BY SPEICAL ORDER ONLY.
2. COLOR: NATURAL.

<table border="1"> <tr> <td>D</td> <td>SEE ECN #1117 FPR CHANGES</td> <td>SK 01.05.06</td> </tr> <tr> <td>C</td> <td>CHANGED FILE NO.</td> <td>SM 05.17.02</td> </tr> <tr> <td>B</td> <td>ALL VIEWS AND DIMS UPDATED</td> <td>J.L. 1.07.00</td> </tr> <tr> <td>A</td> <td>DIM "7/8" WAS "7/16"</td> <td>J.L. 1.19.99</td> </tr> <tr> <td>REV</td> <td>DESCRIPTION</td> <td>ENGR DATE</td> </tr> </table>			D	SEE ECN #1117 FPR CHANGES	SK 01.05.06	C	CHANGED FILE NO.	SM 05.17.02	B	ALL VIEWS AND DIMS UPDATED	J.L. 1.07.00	A	DIM "7/8" WAS "7/16"	J.L. 1.19.99	REV	DESCRIPTION	ENGR DATE	<table border="1"> <tr> <td colspan="3">TOLERANCES UNLESS NOTED .XX=±.010 .XXX=±.005 FRAC=±1/64 ANG=±1°</td> </tr> </table>			TOLERANCES UNLESS NOTED .XX=±.010 .XXX=±.005 FRAC=±1/64 ANG=±1°			<table border="1"> <tr> <td colspan="2">TITLE: FLAT TIE HOLDER</td> </tr> <tr> <td>FILE # FTH-12</td> <td>DWN: J.B.</td> </tr> <tr> <td>MAT'L: SEE NOTES</td> <td>DT: 01-04-96 DT:</td> </tr> <tr> <td>RE: RICHCO, INC.</td> <td>RICHCO INC. PO BOX 804238, CHICAGO, 60680 (773) 539-4060</td> </tr> </table>		TITLE: FLAT TIE HOLDER		FILE # FTH-12	DWN: J.B.	MAT'L: SEE NOTES	DT: 01-04-96 DT:	RE: RICHCO, INC.	RICHCO INC. PO BOX 804238, CHICAGO, 60680 (773) 539-4060	<table border="1"> <tr> <td colspan="2">DWG IN IN (MM) FINAL</td> </tr> <tr> <td>PART #</td> <td>PRINT TYPE</td> </tr> <tr> <td>FTH-12-01</td> <td>CA</td> </tr> </table>		DWG IN IN (MM) FINAL		PART #	PRINT TYPE	FTH-12-01	CA
D	SEE ECN #1117 FPR CHANGES	SK 01.05.06																																							
C	CHANGED FILE NO.	SM 05.17.02																																							
B	ALL VIEWS AND DIMS UPDATED	J.L. 1.07.00																																							
A	DIM "7/8" WAS "7/16"	J.L. 1.19.99																																							
REV	DESCRIPTION	ENGR DATE																																							
TOLERANCES UNLESS NOTED .XX=±.010 .XXX=±.005 FRAC=±1/64 ANG=±1°																																									
TITLE: FLAT TIE HOLDER																																									
FILE # FTH-12	DWN: J.B.																																								
MAT'L: SEE NOTES	DT: 01-04-96 DT:																																								
RE: RICHCO, INC.	RICHCO INC. PO BOX 804238, CHICAGO, 60680 (773) 539-4060																																								
DWG IN IN (MM) FINAL																																									
PART #	PRINT TYPE																																								
FTH-12-01	CA																																								